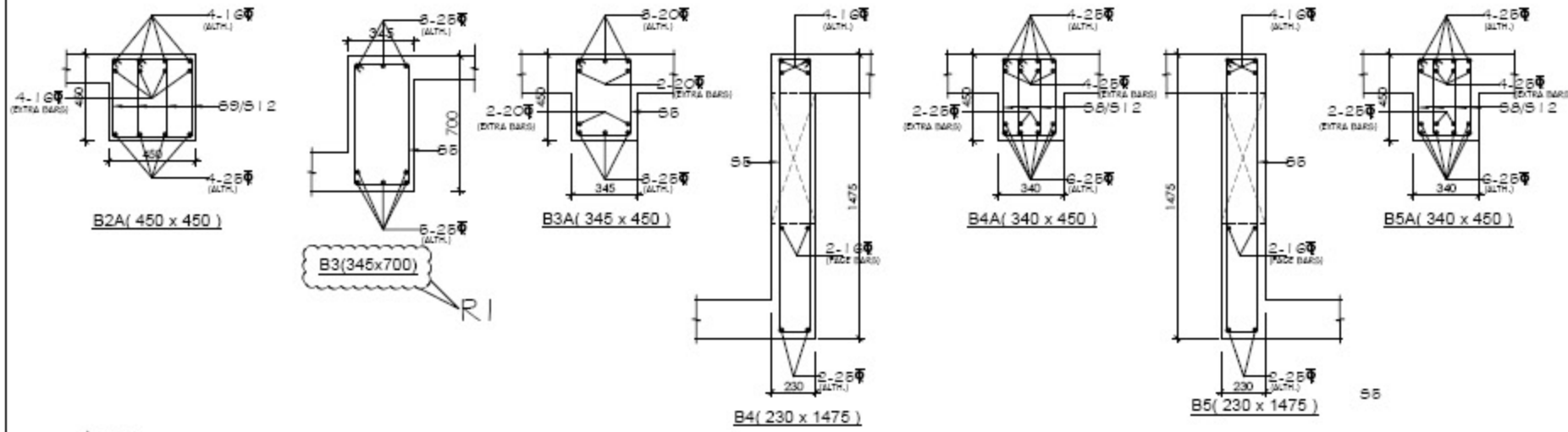


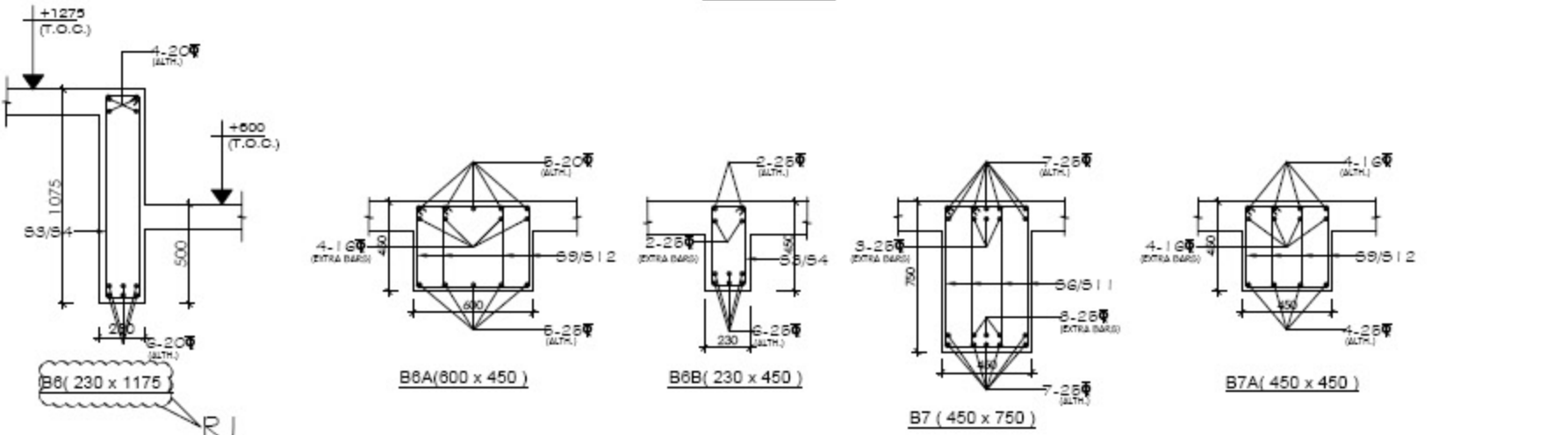
**NOTES:**

1. ALL DIMENSIONS ARE IN MM.
2. DO NOT SCALE, FOLLOW WRITTEN DIMENSION ONLY.
3. THIS DRAWING SHALL BE READ IN CONJUNCTION WITH RELEVANT ARCHITECTURAL AND STRUCTURAL DRAWINGS.
4. CONC. MIX SHALL BE M25 EXCEPT SHOWN OTHER WISE.
5. ALL DIMENSIONS AND LEVEL AS PER ARCH. DRAWINGS EXCEPT SHOWN OTHER WISE.
6. ALL REINF. SHALL BE T.M.T. BARS OF Fe 500 GRADE HAVING ELONGATION MORE THAN 14.3 PERCENT AND CONFORMING TO OTHER REQUIREMENTS OF IS 1786 IS 13920 : 2016 DUCTILE DETAILING OF REINFORCED CONCRETE STRUCTURES SUBJECTED TO SEISMIC FORCES-CODE OF PRACTICE.



FOR SLAB REINF. DETAILS REFER DRAWING NOS. MD / ST - 05A.

FOR G. A. DETAILS REFER DRAWING NOS. MD / ST - 05



| STIRRUPS SCHEDULE |                |
|-------------------|----------------|
| S1                | 2L-8@ 150 C/C  |
| S2                | 2L-8@ 200 C/C  |
| S3                | 2L-10@ 100 C/C |
| S4                | 2L-10@ 125 C/C |
| S5                | 2L-10@ 150 C/C |
| S6                | 4L-10@ 80 C/C  |
| S7                | 4L-10@ 100 C/C |
| S8                | 4L-10@ 110 C/C |
| S9                | 4L-10@ 125 C/C |
| S10               | 4L-10@ 150 C/C |
| S11               | 4L-10@ 160 C/C |
| S12               | 4L-10@ 175 C/C |
| S14               | 4L-8 @ 150 C/C |
| S15               | 4L-8 @ 200 C/C |

